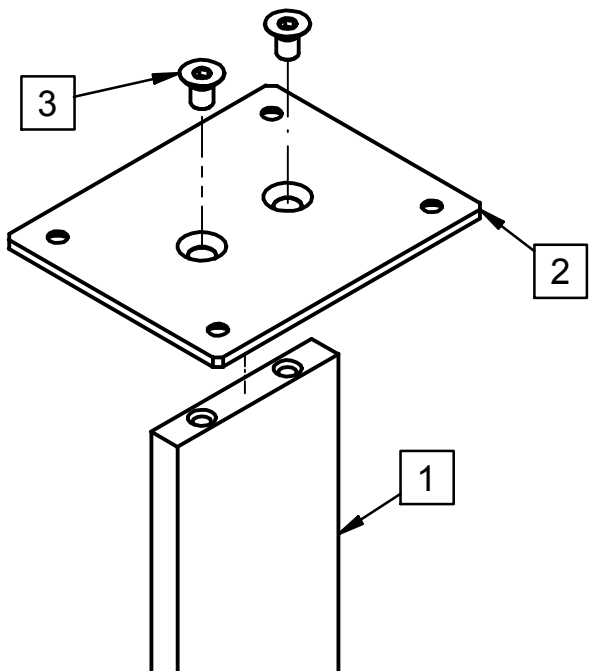
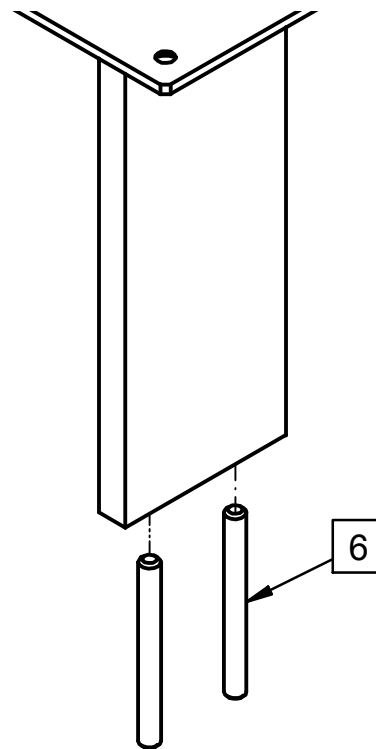


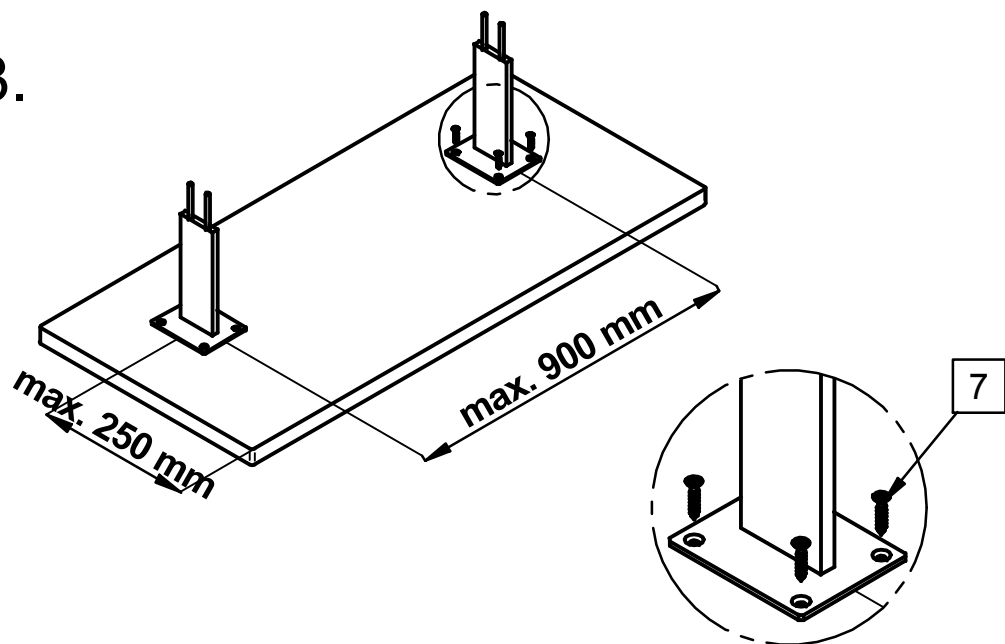
1.



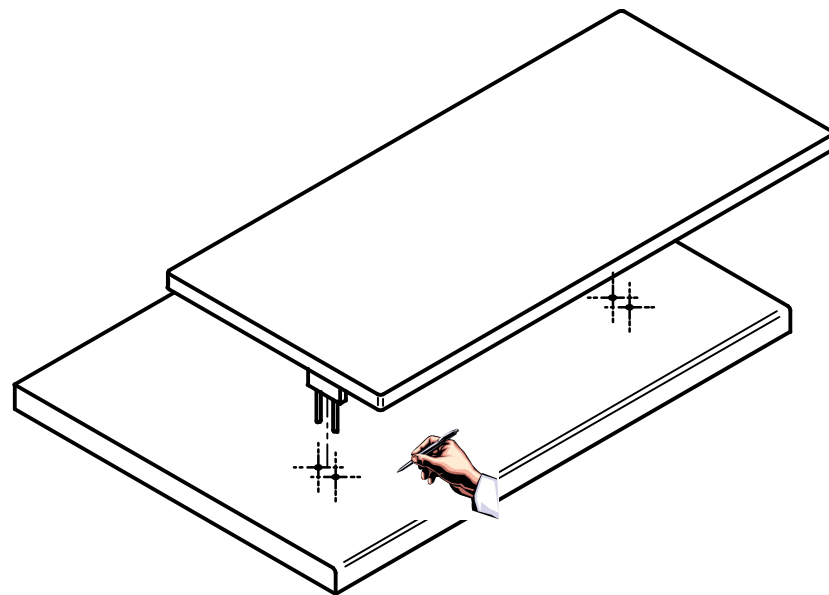
2.



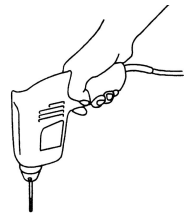
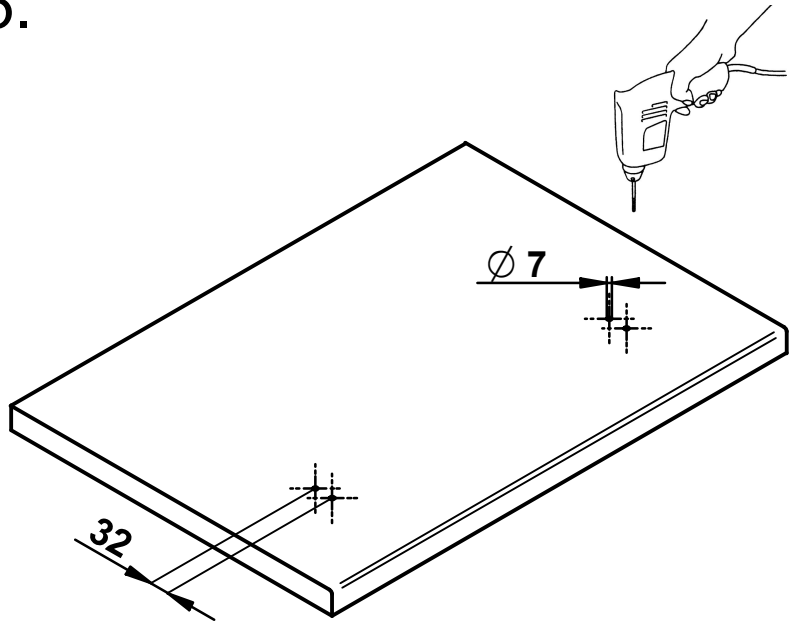
3.



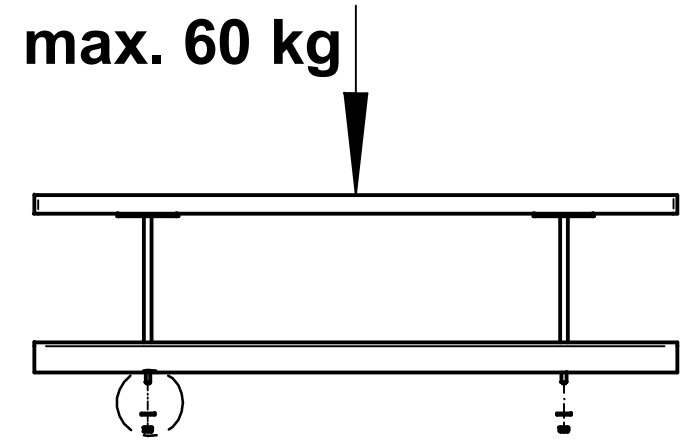
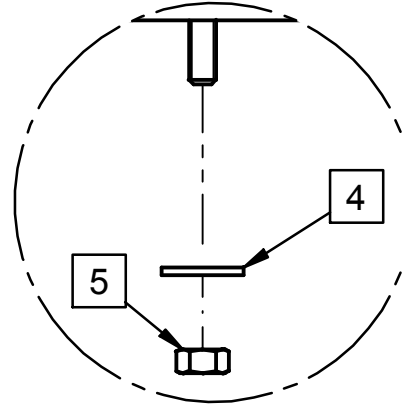
4.



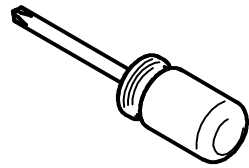
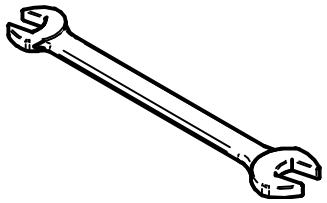
5.



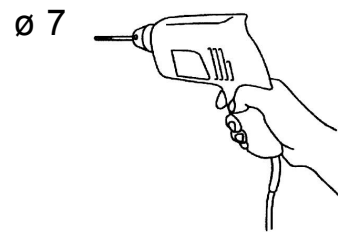
6.



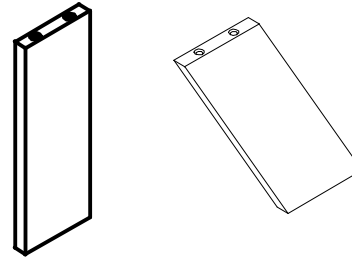
SW 10



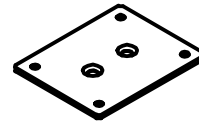
SW 4



1 1 x



2 1 x



3 2 x  M6 x 10 mm

4 2 x  $\varnothing 6,4$ mm

5 2 x  M6

6 2 x  M6 x 60 mm

7 4 x  $\varnothing 5$ x 16 mm