
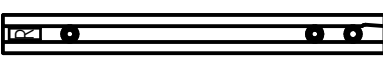











Panel

- 1.1 1xL 
- 1.2 1xR 
- 2.1 1xL  2.2 1xR 
- 3 2 x  10x4x0,8 mm
- 4 2 x  M5x12 mm
- 5 2 x  M8/M5x16 mm
- 6 2 x  M4x5 mm
- 7 2 x  M4x10 mm
- 8 2 x  M8 x 17 mm
- 9 1 x  SW 2,5

