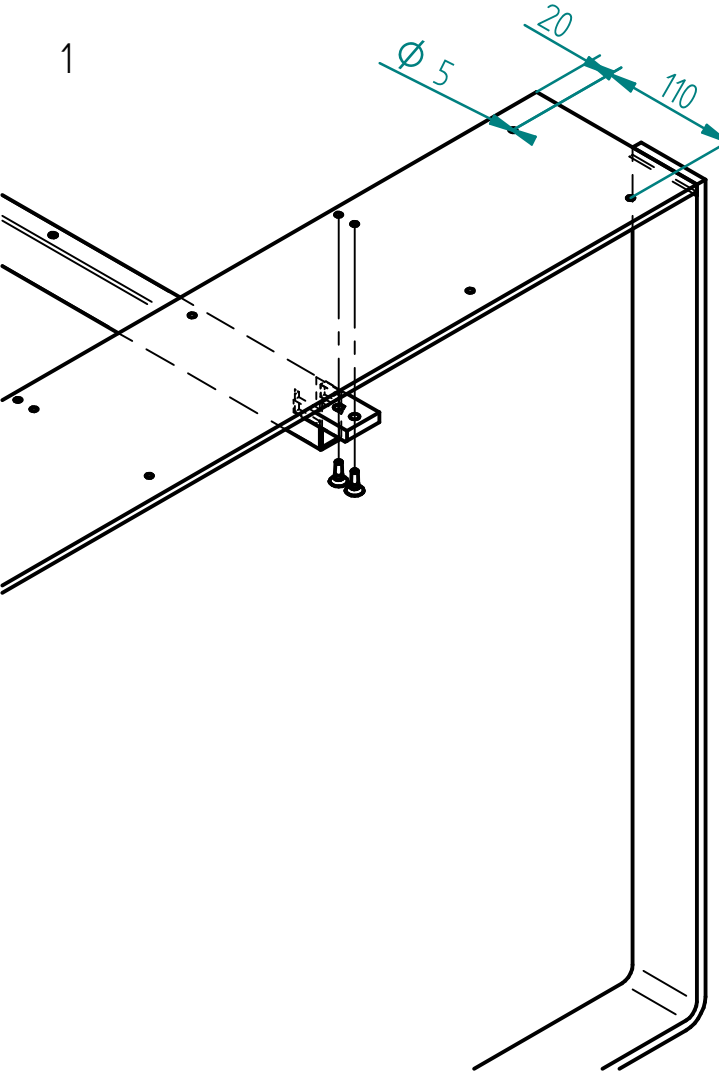
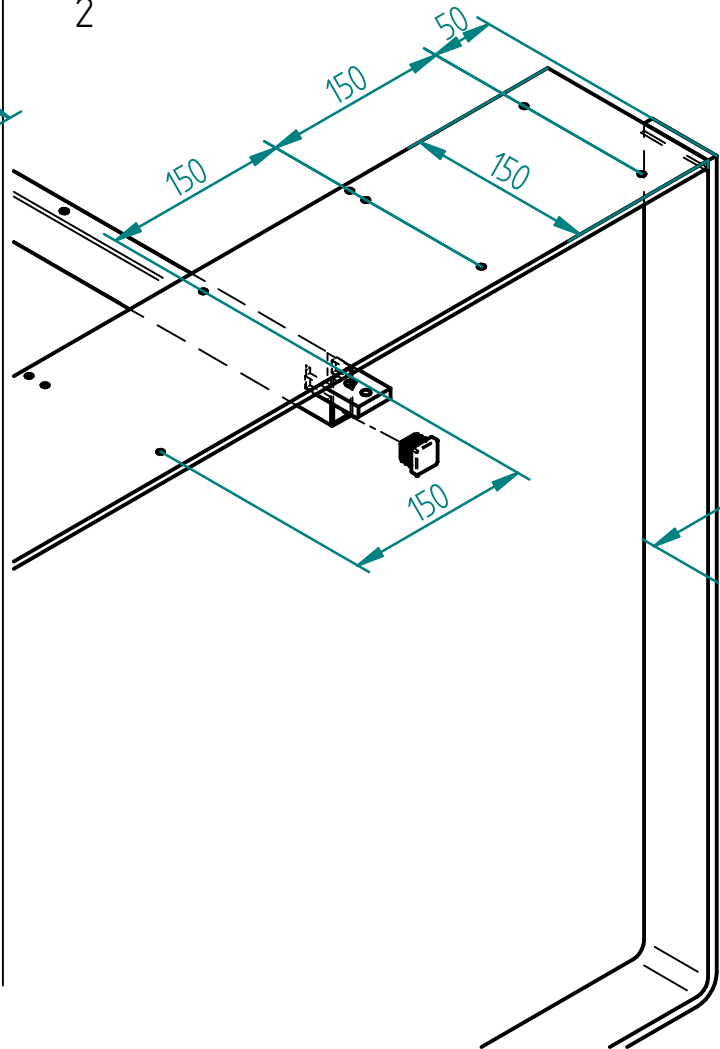


96.083.00

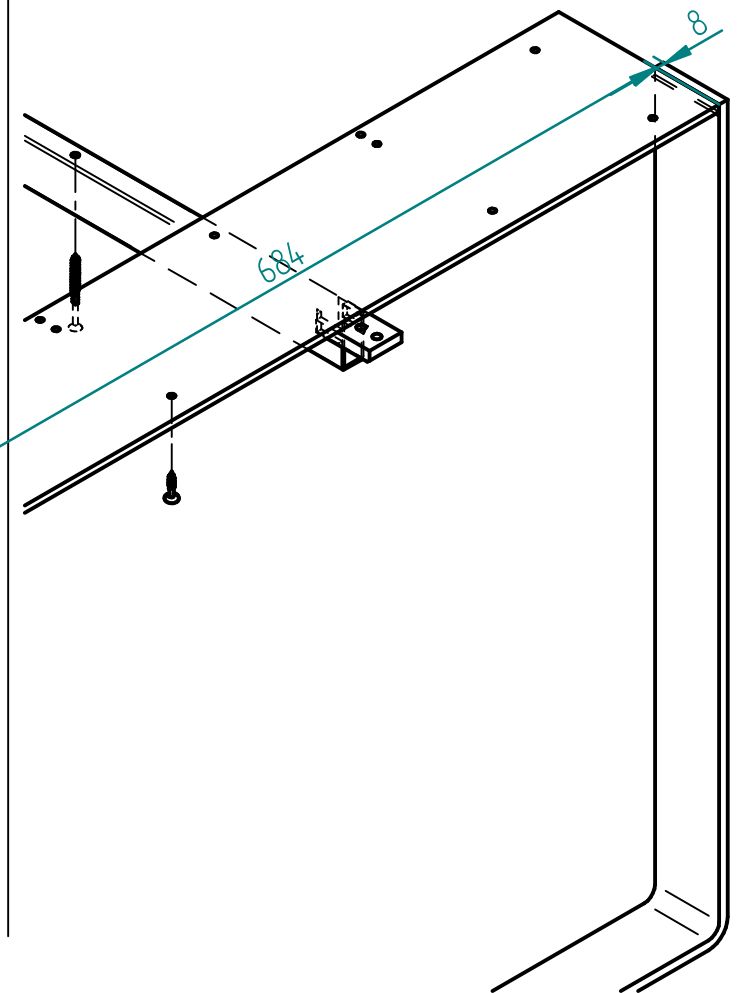
1



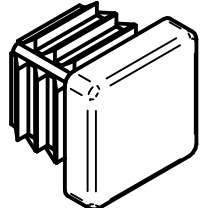
2



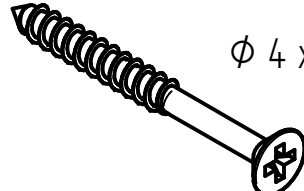
3



M6 x 16



$\phi 4 \times 55$



$\phi 4 \times 20$

