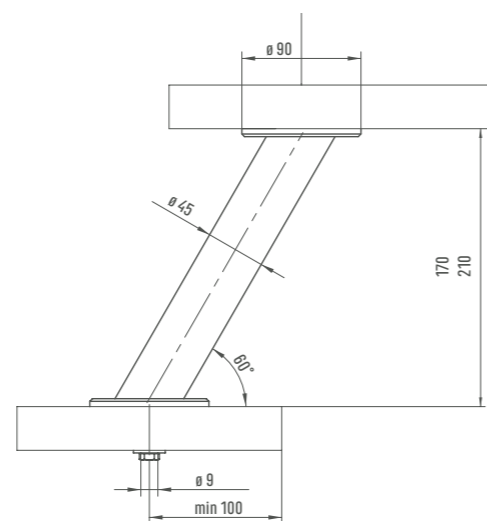


Barkonsole Bari Bar console Bari

- \varnothing 45 mm
- Neigung 30°
- Glasmontage mit Glasklebeadapter

- Tube dimension: \varnothing 45 mm
- Inclination 30°
- Glass assembly by glass glueing adaptor



Bari		
Bari		
Höhe Height	170 mm	210 mm
Stahl, hochglanzverchromt Steel, high polish chrome plated	20.003.12-170	24.321.12
pulverbeschichtet RAL 9005 schwarz matt struktur powder coated black matt structure	20.003.13-170	
Edelstahl Stainless Steel	20.003.15-170	24.321.15

Ausführung Type	Art. No. Art. No.
Adapterscheibe*, Edelstahl Washer disc, stainless steel	24.310.25

* Höhe + 12 mm // Height + 12 mm

