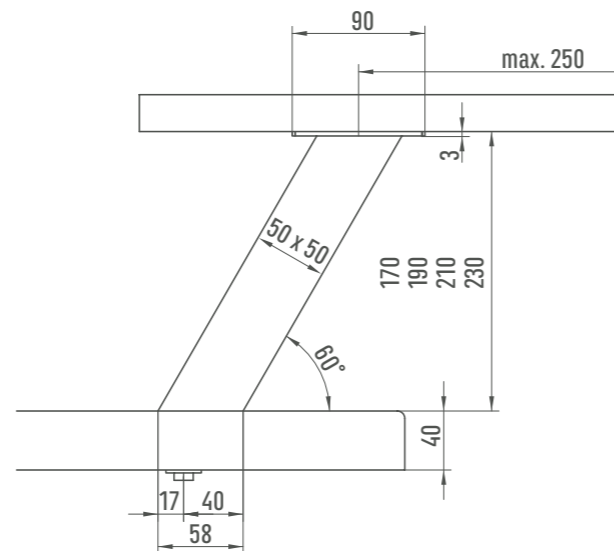


Capri schräg Capri inclined

- Profil 50 x 50 mm
- Anschraubplatte 90 x 90 x 3 mm
- Glasmontage mit Glasklebeadapter

- Profile 50 x 50 mm
- Fixation plate 90 x 90 x 3 mm
- Glas assembly by glass glueing adaptor



Capri schräg Capri inclined

Ausführung Type	170 mm	190 mm	210 mm VA	230 mm Aluminium
Aluminium natur eloxiert Aluminium nature anodized	20.007.11-170	20.007.11-190		20.007.11-230
Edelstahl Stainless steel	20.007.15-170	20.007.15-190	20.007.15-210	
Aluminium edelstahlfarbig Aluminium stainless steel effect	20.007.27-170	20.007.27-190		20.007.27-230
Pulverbeschichtet schwarz matt Powder coated black mat structure	20.007.13-170	20.007.13-190		20.007.13-230

Glasklebeadapter Edelstahl 65 x 65 x 4 mm
Glass glueing adaptor stainless steel 65 x 65 x 4 mm

20.014.15

